


## BauderGREEN PED NC UK non-combustible pedestals

30/09/2025

<b>Product description</b>	A non-combustible adjustable pedestal designed for use on flat or tapered roofs and balconies. The NC pedestal can be used with a wide range of accessories.	
<b>Application</b>	The NC range can be used to achieve depths from 33mm to 395mm. Designed for use on flat roofs (as part of Bauder's blue roof system). Suitable for use with paving, decking and gratings.	
<b>Colour</b>	Aluminum	
<b>Article number</b>	GB501339000 to GB50133990	

Characteristic	Unit	Value
Height	mm	24 to 395
Base Diameter	mm	170
Head Diameter	mm	90
Base and Head made from		Aluminum
Stem made from		M16 – Zinc plated steel
Slope correction	%	0 to 5
Fire Class (BS EN 13501-1)		A1
Delivery form		Boxes of pedestals and accessories
Weight per box	Kg	<25
Spacers width	mm	2, 3, 4.5, 6 & 8 (17mm high)
NC Accessories		Tabs- Shims- Slope Correction - Edging Products - Couplers- Joist Support- Low Build Up- Wind Uplift- Membrane Protection

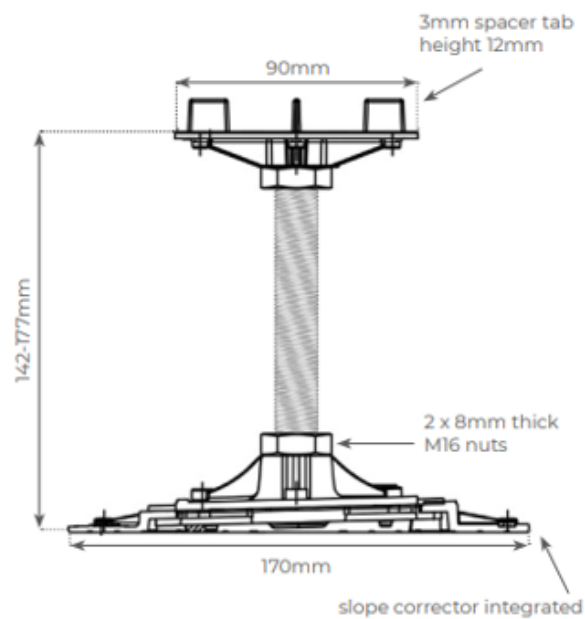
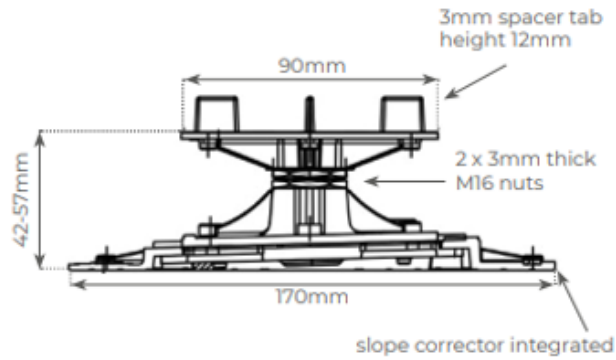
# Technical data sheet

DPH PEDESTAL- PRODUCT INFORMATION AND TECHNICAL PERFORMANCE				
Product	Height in mm	Weight in grammes	Compressive Strength in kN	
NC-1*	24-30	245	>3000	SIRRIS Tested
NC-2*	28-34	247	>3000	SIRRIS Tested
NC-3*	33-39	250	>3000	SIRRIS Tested
NC-4	33-48	428	>3000	SIRRIS Tested
NC-5	48-65	394	>3000	SIRRIS Tested
NC-6	57-82	413	>3000	SIRRIS Tested
NC-7	72-117	463	>3000	SIRRIS Tested
NC-8	105-150	508	>3000	SIRRIS Tested
NC-9	140-185	554	>3000	SIRRIS Tested
NC-10	175-220	599	>3000	SIRRIS Tested
NC-11	210-255	645	>3000	SIRRIS Tested
NC-12	245-290	690	>3000	SIRRIS Tested
NC-13	280-325	740	>3000	SIRRIS Tested
NC-14	315-360	780	>3000	SIRRIS Tested
NC-15	350-395	830	>3000	SIRRIS Tested

\* Use with 170mm x 2mm Spreader plate (GB50133990)

<b>Installation guidance</b>	<p>The Bauder NC pedestal systems should be installed in line with the Bauder guidance, in particular aligning slope correctors to keep the paving or decking surfaces level. Spacers must always be fitted to keep gaps consistent and ensure adequate drainage. All cuts and edges are retained using the various edging products to prevent joint movement.</p> <p>Note: Bauder pedestals are designed to support external raised floors for pedestrian traffic only and are not designed to support or be subjected to moving and/or vibrating machinery &amp; equipment, including maintenance, cleaning equipment, vehicles and other similar equipment.</p>
<b>Product storage guidance</b>	<p>The product can be stored outside on the delivery pallet if applicable. Where there are storage containers on site, these may be suitable for storing products. This product is non-combustible.</p>
<b>Pallet size</b>	12 Boxes per pallet
<b>Packaging material</b>	Cardboard boxes
<b>Handling/PPE</b>	<p>All people using the product should be fully aware of the manual handling methods as roofing materials are heavy and can cause serious injury. When using/handling the product, installers should be provided with, and wear, suitable personal protective equipment.</p>
<b>Shelf life</b>	When stored correctly this product has no stated shelf life.
<b>Recycled Content</b>	97.8% recycled Aluminum.
<b>Disposal guidance</b>	Waste of the product is not a hazardous substance and can be recycled.
<b>Further information/documents</b>	Current documents such as DoC's, DoP's (where relevant), brochures, installation guides, etc. can be found by visiting <a href="http://www.bauder.co.uk">www.bauder.co.uk</a>
<b>Safety Data Sheet</b>	Safety Data Sheets are designed to provide the necessary information to recipients of substances and mixtures in the EU & UK. This product is classed as an article; therefore, this product does not have a requirement for a Safety Data Sheet.

# Technical data sheet



Integrated spacer tabs are perforated for easy removal. The NC range has a suite of Class A1 fire-rated accessories; - Spacer Tabs - Edge Restraint - Joists, etc.



NC Tab Ring



NC Joist



NC Locking Key



NC Wall Perimeter spacer



NC Spacer Tabs



NC Spreader Base Plate