

Technical data sheet

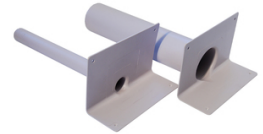
BauderFPO DSP-R 90

Parapet outlet



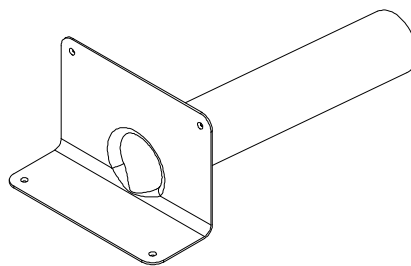
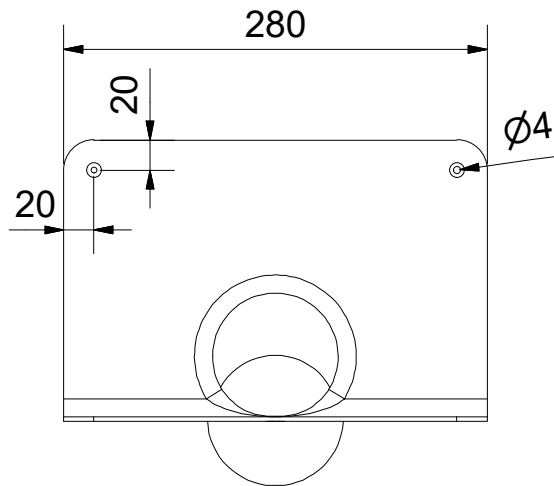
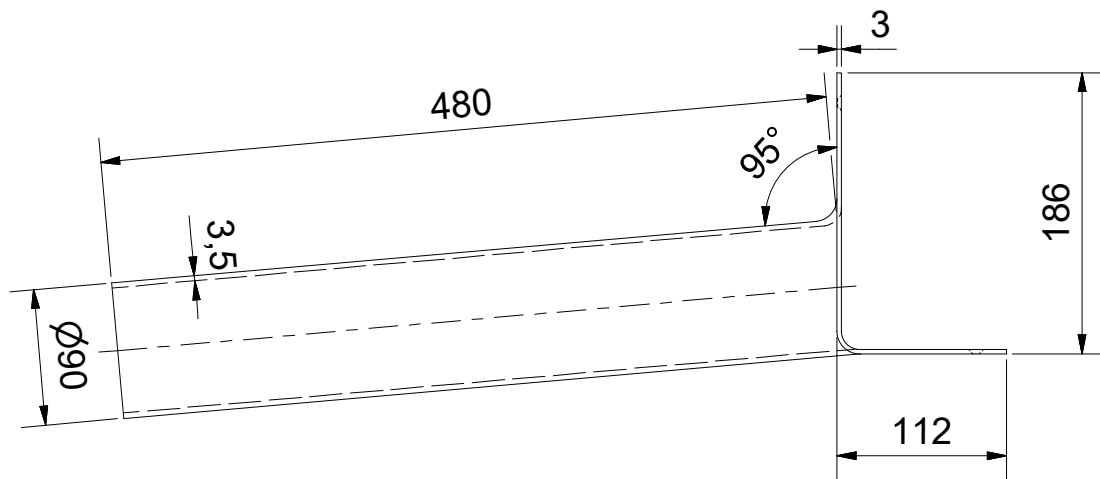
16/02/2026

Product description	Bauder rigid FPO parapet outlet (excluding leaf Guard)
Application fields	A rigid FPO rainwater outlet enabling Thermoplan membrane to be welded to the flange plate. UV stable throughout.
Article number	6543 0090
Website link	https://www.bauder.co.uk/products/fpo-dsp-r-90



Characteristic	Unit	Value
Length	mm	480
Diameter	mm	90 (DN80)
Processing	-	Horizontal rainwater drainage (Attention:Spouts are not covered by EN 1253)
Drainage capacity (accumulation height)	l/s	0,75(35mm)
Weight (piece)	kg	0.68
External fire performance	-	not applicable

Normative references	For undated references, the latest edition of the referenced document (including any amendments) applies.
Flow rate	Flow rate performance data using a 35mm head of water (including leaf guard), based upon requirements of BS EN 12056:3:2000. Further flow rate performance data can be obtained within this document. For bespoke drainage calculation performance data, please contact Bauder Limited.
Product surface finish	Please contact the Bauder technical service team for the latest drainage calculation prior to installation. These Bauder FPO rainwater outlets can be welded with all BauderTHERMOPLAN membranes.
Handling/PPE	All persons using the product should be fully aware of the manual handling methods as roofing materials are heavy and can cause serious injury. When using/handling the product, installers should be provided with, and wear, suitable personal protective equipment.
Further information/documents	Current documents such as DoP's (where relevant), brochures, installation guides, etc. can be found by visiting www.bauder.co.uk
Safety Data Sheet	Safety Data Sheets are designed to provide the necessary information to recipients of substances and mixtures in the EU & UK. This product is classed as an article; therefore, this product does not have a requirement for a Safety Data Sheet.
Emergency overflow	Outlet can be used as an emergency overflow. BS 12056 suggests the overflow is set 35mm higher than the outlet it is being used as an emergency overflow for.
Overflows/tell-tale overflows	An appropriate Engineer should consider the requirement for overflows on all roofs. A full capacity overflow should be provided when there is only one outlet on a given roof area.



BAUDER

Art.-Nr.: 65430090

Status	Änderungen	Datum	Name

Datum	Name
13.01.2026	S.Schmidt

**BAUDER Dachspeier FPO
Rund**

FPO DSP R 90

1
A4

Status	Änderungen	Datum	Name