

# Technical data sheet

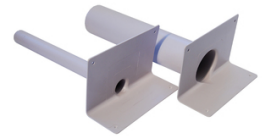
## BauderFPO DSP-R 90

### Parapet outlet



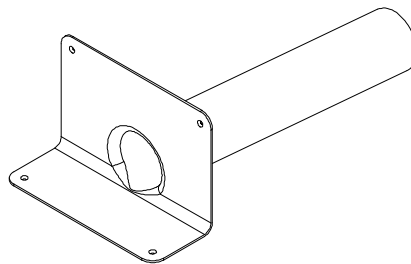
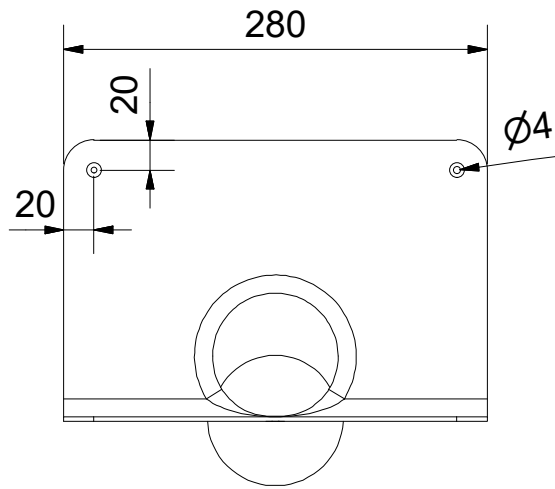
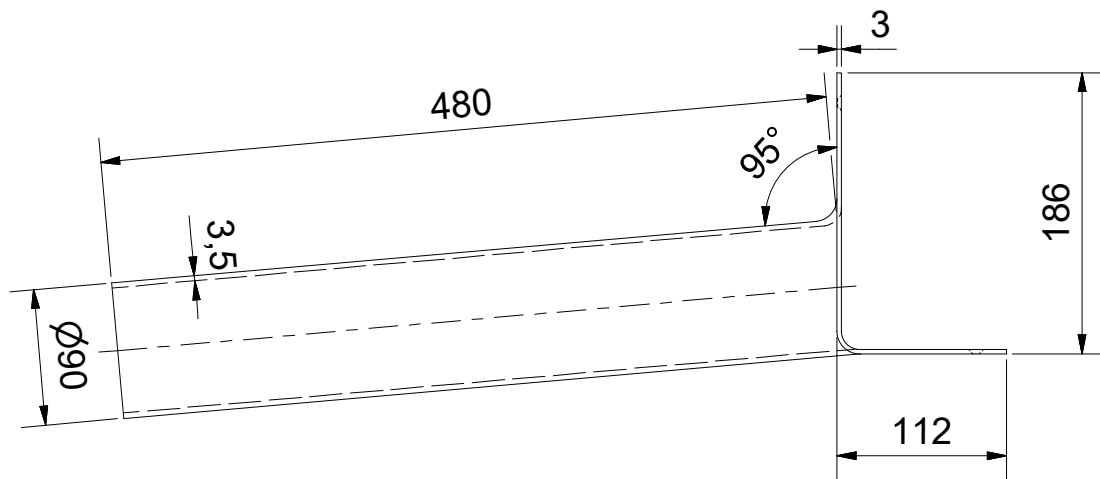
24/03/2026

<b>Product description</b>	Bauder rigid FPO parapet outlet (excluding leaf Guard)
<b>Application fields</b>	A rigid FPO rainwater outlet enabling Thermoplan membrane to be welded to the flange plate. UV stable throughout.
<b>Article number</b>	6543 0090
<b>Website link</b>	<a href="https://www.bauder.co.uk/products/fpo-dsp-r-90">https://www.bauder.co.uk/products/fpo-dsp-r-90</a>



Characteristic	Unit	Value
<b>Length</b>	mm	480
<b>Diameter</b>	mm	90 (DN80)
<b>Processing</b>	-	Horizontal rainwater drainage (Attention:Spouts are not covered by EN 1253)
<b>Drainage capacity (accumulation height)</b>	l/s	0,75(35mm)
<b>Weight (piece)</b>	kg	0.68
<b>External fire performance</b>	-	not applicable

<b>Normative references</b>	For undated references, the latest edition of the referenced document (including any amendments) applies.
<b>Flow rate</b>	Flow rate performance data using a 35mm head of water (including leaf guard), based upon requirements of BS EN 12056:3:2000. Further flow rate performance data can be obtained within this document. For bespoke drainage calculation performance data, please contact Bauder Limited.
<b>Product surface finish</b>	Please contact the Bauder technical service team for the latest drainage calculation prior to installation. These Bauder FPO rainwater outlets can be welded with all BauderTHERMOPLAN membranes.
<b>Handling/PPE</b>	All persons using the product should be fully aware of the manual handling methods as roofing materials are heavy and can cause serious injury. When using/handling the product, installers should be provided with, and wear, suitable personal protective equipment.
<b>Further information/documents</b>	Current documents such as DoP's (where relevant), brochures, installation guides, etc. can be found by visiting <a href="http://www.bauder.co.uk">www.bauder.co.uk</a>
<b>Safety Data Sheet</b>	Safety Data Sheets are designed to provide the necessary information to recipients of substances and mixtures in the EU & UK. This product is classed as an article; therefore, this product does not have a requirement for a Safety Data Sheet.
<b>Emergency overflow</b>	Outlet can be used as an emergency overflow. BS 12056 suggests the overflow is set 35mm higher than the outlet it is being used as an emergency overflow for.
<b>Overflows/tell-tale overflows</b>	An appropriate Engineer should consider the requirement for overflows on all roofs. A full capacity overflow should be provided when there is only one outlet on a given roof area.



**BAUDER**

Art.-Nr.: 65430090

Status	Änderungen	Datum	Name

Datum	Name
13.01.2026	S.Schmidt

**BAUDER Dachspeier FPO  
Rund**

**FPO DSP R 90**

**1  
A4**

Status	Änderungen	Datum	Name